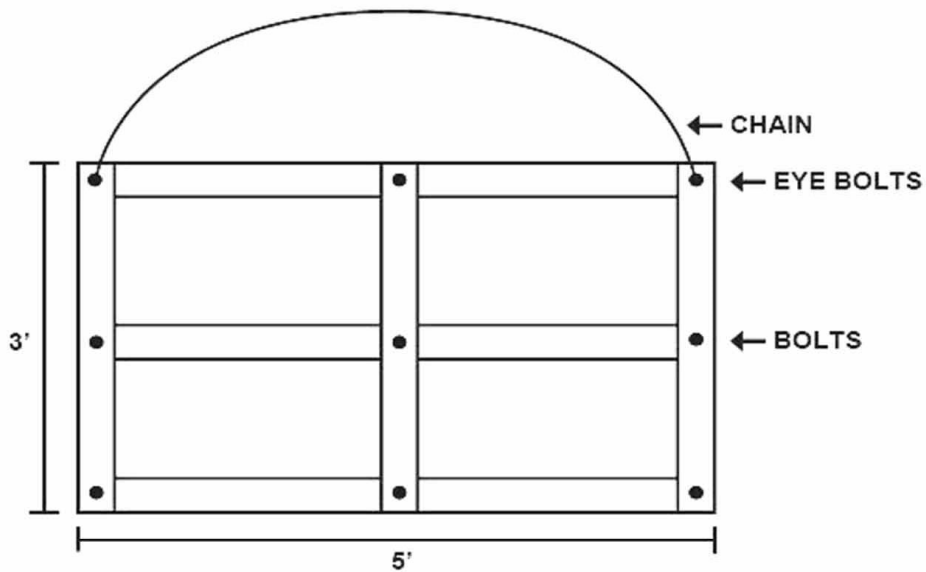




To build a nail drag, you will need the following:

- 2"x4" boards
- Pre-drill straight holes for nails
- 40 penny nails
- 1"x4" to cover 2"x4" on top to hold in nails
- Eye bolts and a chain for pulling, Put eye bolts in the face so the drag can be flipped over and used as a float
- Stagger nails 1" apart and have 2 rows in each board

**TOP VIEW**



**BOTTOM VIEW**

